



RV-900™ Series

THE NEXT GENERATION BACKLOAD VALIDATOR

Designed to maximize machine uptime and reduce service costs, CPI presents the RV-900 series backloader note validator. Built with the reliability and security of CPI engineering, and backed by a reliable service network, RV-900 promises a safer payment experience and overall lower cost of ownership.

- CPI's sensor platform, with full-width note coverage, delivers industry-leading counterfeit detection for superior protection against fraudulent notes
- Machine uptime is maximized with an enhanced cash box rated for street grade notes to reduce unplanned cash box-collection service calls
- Single platform, global currency support maximizes international integration opportunities for reduced R&D costs
- Durable, drop-proof cashbox eliminates in-transit damage, allowing for streamlined spare parts inventory and a lower total cost of ownership
- USB connectivity promotes faster at-machine update and data collection time for easy, seamless configurations and reduced service time

Increase the security and reliability of your operation with industry-leading payment technology.



RV-900 Series Specifications & Variants

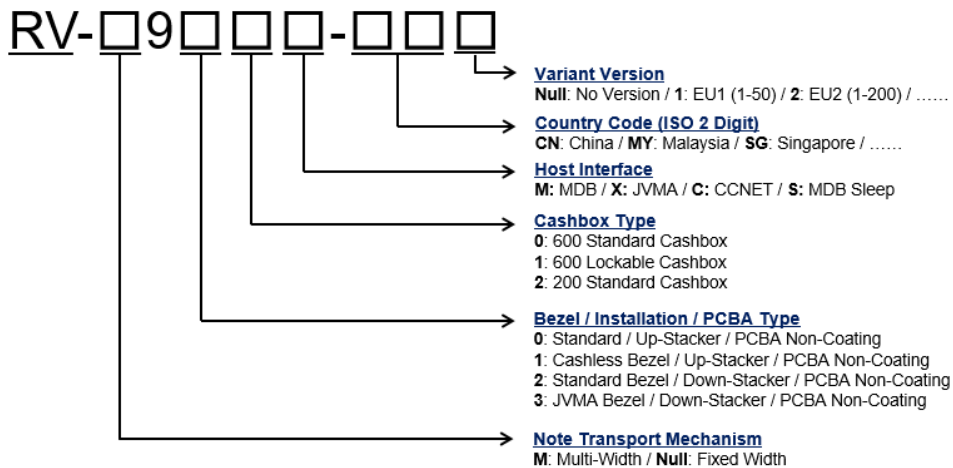
Specifications and Options

Specifications	
Acceptance Rate	95% or greater 1st time
Interfaces	MDB, CCNET
Bill Length	120mm - 161mm
Operating Voltage	34VDC±10% (MDB)
	24VDC±10% (MDB)
	12VDC±1V (CCNET)
Power Consumption	34V 24V 12V
	Stand-by: <0.2A, <0.3A, <0.5A
	Operating: <0.6A, <0.9A, <1.0A
Operating Temperature	-15C~ +60C
Insulation Resistance	20MΩ or more
Weight	Approx. 1.0 kg

Currency Support	
Fixed-Width Bills	62 - 70 mm
Multi-Width Bills	62 - 77 mm

Cash Box Options	
Standard	Small: 200 notes
	Standard: 600 notes
Secured	Standard: 600 notes

Configurations and Variants



Visit CranePI.com/R900 to learn more.



© 2021 Crane Payment Innovations. All rights reserved.

CranePI.com